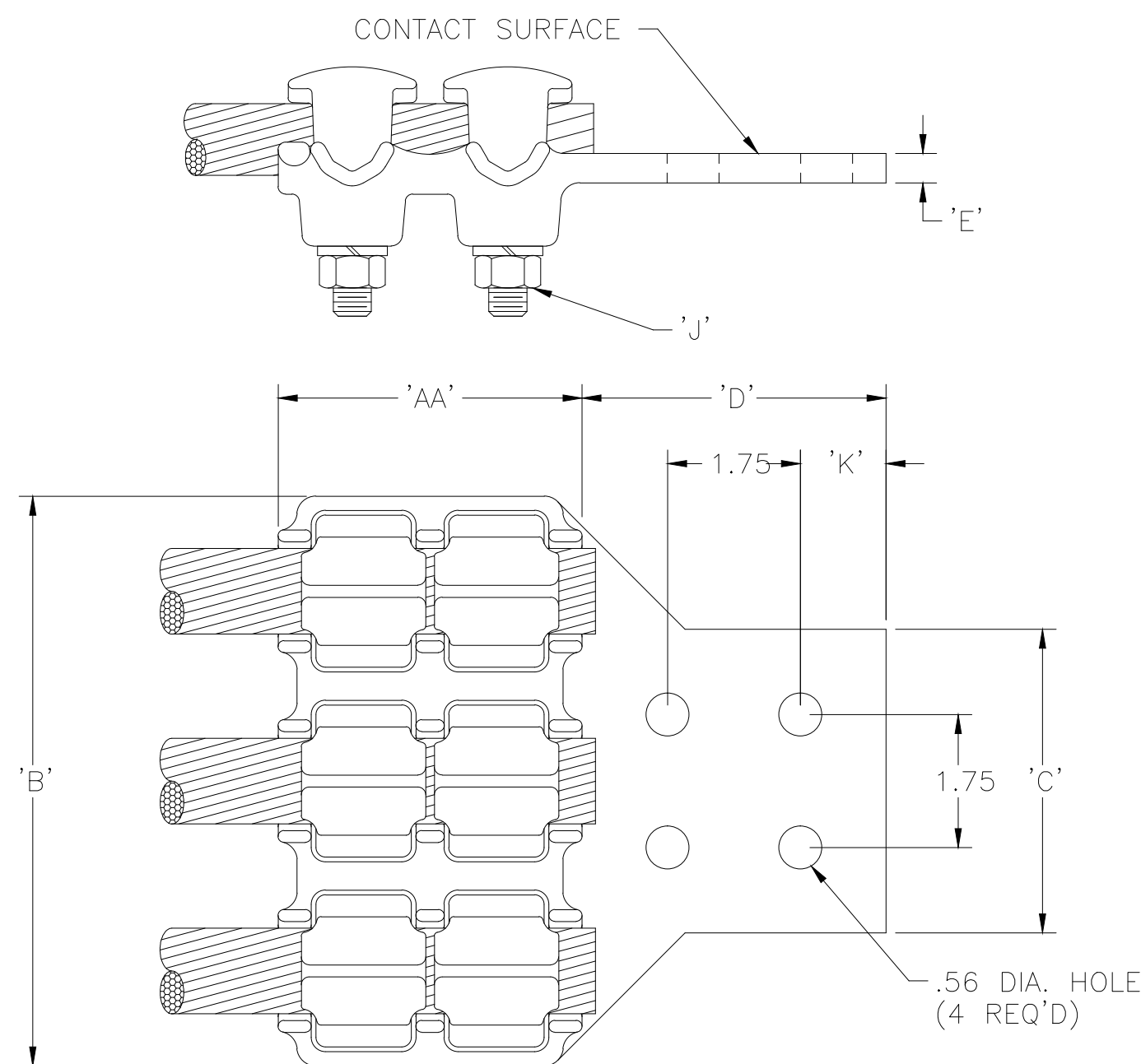
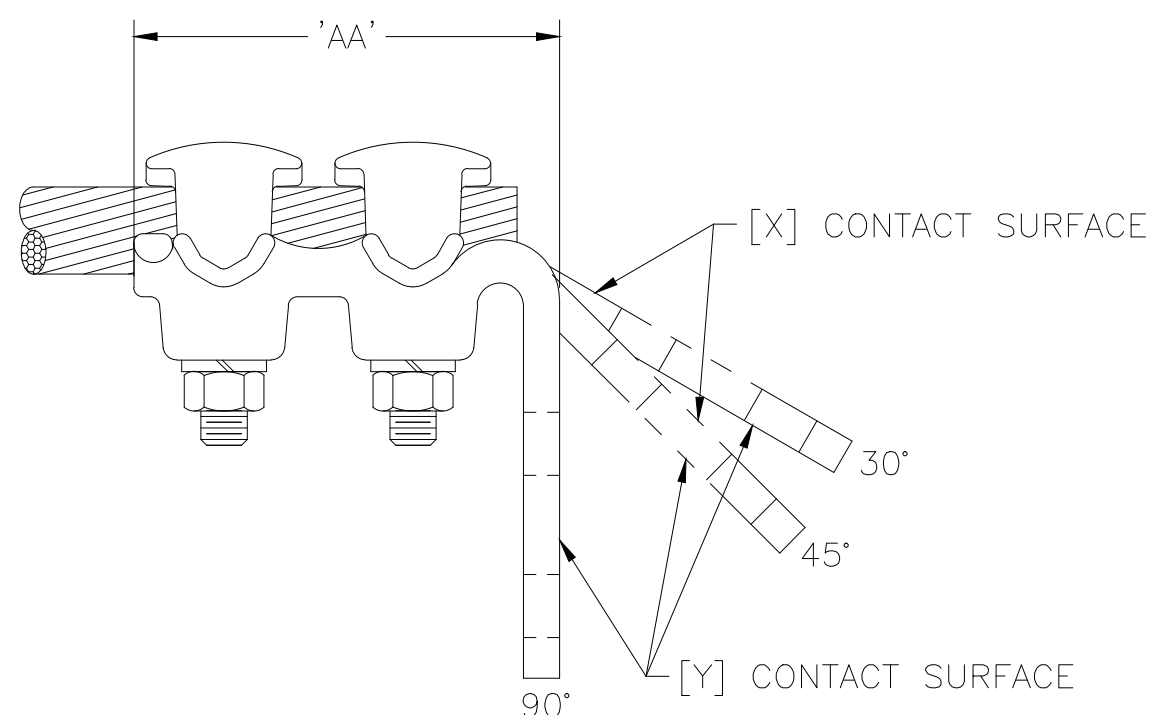


CABLE RANGE MIN.      MAX.	CATALOG NUMBER	DIMENSIONS IN INCHES									APPR. SHPG. WT. LBS. EA.  TYPE VL3D
		AA	B	TONGUE			J	K	L		
C	D			E							
8 SOL. — 2/0 STR.	VL3D-31C-H	3.12	4.81	3.00	3.25	.25	.50	.62	2.12	3.4	
8 SOL. — 2/0 STR.	VL3D-31D-H	3.12	4.81	4.00	3.25	.25	.50	1.12	2.12	4.0	
6 SOL. — 250 MCM	VL3D-41C-H	3.25	4.88	3.00	3.00	.25	.50	.62	2.38	4.5	
6 SOL. — 250 MCM	VL3D-41D-H	3.25	4.88	4.00	4.25	.25	.50	1.12	2.38	5.1	
2 SOL. — 350 MCM	VL3D-57C-H	3.56	5.38	3.00	3.12	.25	.50	.62	2.75	5.6	
2 SOL. — 350 MCM	VL3D-57D-H	3.56	5.38	4.00	4.12	.25	.50	1.12	2.75	6.2	
2 SOL. — 350 MCM	VL3D-57D-H-X/Y-90	4.06	5.38	4.00	4.25	.25	.50	1.12	2.75	—	
1/0 SOL. — 500 MCM	VL3D-61C-H *	4.00	5.06	3.00	3.00	.31	.50	.62	3.00	6.2	
1/0 SOL. — 500 MCM	VL3D-61C-H-X/Y-45 *	3.69	5.06	3.00	3.25	.31	.50	.62	3.00	—	
1/0 SOL. — 500 MCM	VL3D-61D-H *	4.00	5.06	4.00	4.00	.31	.50	1.12	3.00	6.8	
1/0 SOL. — 500 MCM	VL3D-61D-H-X/Y-45 *	4.00	5.06	4.00	4.25	.31	.50	1.12	3.00	—	
1/0 SOL. — 500 MCM	VL3D-61D-H-X/Y-90 *	4.50	5.06	4.00	4.25	.31	.50	1.12	3.00	—	
350 — 750 MCM	VL3D-71C-H *	4.06	5.75	3.00	3.00	.38	.50	.62	3.00	7.9	
350 — 750 MCM	VL3D-71C-H-X/Y-30 *	3.94	5.75	3.00	3.25	.38	.50	.62	3.00	—	
350 — 750 MCM	VL3D-71C-H-X/Y-90 *	4.62	5.75	3.00	3.25	.38	.50	.62	3.00	—	
350 — 750 MCM	VL3D-71D-H *	4.00	5.75	4.00	4.00	.38	.50	1.12	3.00	8.8	
350 — 750 MCM	VL3D-71D-H-X/Y-45 *	3.88	5.75	4.00	4.25	.38	.50	1.12	3.00	—	
350 — 750 MCM	VL3D-71D-H-X/Y-90 *	4.62	5.75	4.00	4.25	.38	.50	1.12	3.00	—	
2/0 SOL. — 1000 MCM	VL3D-89C-H *	3.75	6.00	3.00	3.12	.50	.50	.62	3.75	11.1	
2/0 SOL. — 1000 MCM	VL3D-89C-H-X/Y-90 *	4.44	6.00	3.00	3.25	.50	.50	.62	3.81	—	
2/0 SOL. — 1000 MCM	VL3D-89D-H-Y45 *	3.75	5.88	4.00	4.00	.38	.50	1.12	3.75	12.4	
2/0 SOL. — 1000 MCM	VL3D-89D-H-X45 *	3.75	5.88	4.00	4.00	.38	.50	1.12	3.75	12.4	
1000 — 1500 MCM	VL3D-92C-H *	4.00	7.50	3.00	3.25	.62	.50	.62	4.00	13.7	
1000 — 1500 MCM	VL3D-92D-H *	4.00	7.50	4.00	4.25	.62	.50	1.12	4.00	15.4	
500 — 2000 MCM	VL3D-101-DD-H *	4.12	8.56	4.00	4.25	.75	.50	1.12	4.50	—	
2/0 — 1000	VL3D-89D-H-GE *	3.56	5.97	4.50	4.62	.75	.50	1.12	3.81	14.9	
2/0 SOL. — 1000 MCM	VL3D-89D-H-X/Y-45 *	3.75	6.00	4.00	4.25	.38	.50	1.12	3.75	—	
2/0 SOL. — 1000 MCM	VL3D-89D-H-X/Y-90 *	4.44	6.00	4.00	4.25	.50	.50	1.12	3.81	—	
1000 — 1500 MCM	VL3D-92D-H-X/Y-45 *	4.00	7.50	4.00	4.25	.62	.50	1.12	4.00	—	
1000 — 1500 MCM	VL3D-92D-H-X/Y-90 *	4.62	7.50	4.00	4.25	.62	.50	1.12	4.00	—	

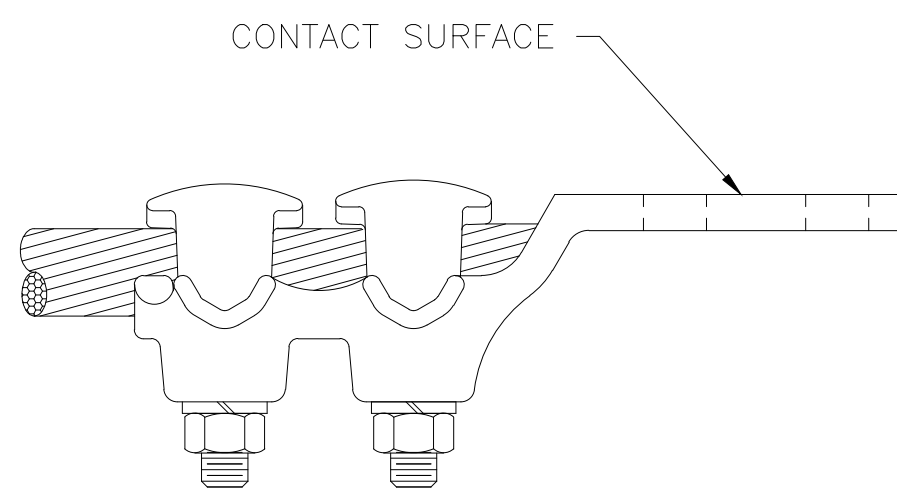
\* CABLE ENTRANCE ONLY FROM END OF TERMINAL.



SPECIAL TONGUE ANGLES



CONTACT SURFACE



SIDE FORMED TONGUE

ANGLED CONNECTORS ARE SUPPLIED WITH CONTACT FINISHING ON EITHER THE TOP OR BOTTOM TONGUE SURFACE AS ILLUSTRATED. ADD CONTACT SURFACE LETTER AND REQUIRED ANGLE TO THE CATALOG NUMBER; EXAMPLE: VL3-61C-H-Y45. SIDE FORMED MAY BE OBTAINED BY ADDING LETTERS 'SF' TO THE CATALOG NUMBER. EXAMPLE: VL3D-61C-H-SF.

NOTES:

- 1) NEMA DRILLED 4 HOLE PADS ARE PROVIDED AS SHOWN UNLESS SPECIFIED.
- 2) MATERIAL: BODY — ELECTRICAL BRONZE  
EYEBOLT — HIGH STRENGTH BRONZE  
HARDWARE — HEX BRONZE NUTS AND SPUR-TYPE LOCKWASHERS.
- 3) ADD 'TP' SUFFIX FOR TIN PLATING  
EXAMPLE: VL3D92DHY90TP

63199	12/11/15	WJI	WJI	ANDERSON TOLERANCE CHART	HUBBELL® POWER SYSTEMS
EC #	DATE	CHG BY	RESP ENG		
DESC OF DWG: ADD VL3D89DHY45				CONFIDENTIAL: THIS DRAWING AND ITS CONTENTS ARE CONFIDENTIAL AND THE EXCLUSIVE PROPERTY OF HUBBELL POWER SYSTEMS. NO PUBLICATION, DISTRIBUTION OR COPIES MAY BE MADE WITHOUT THE WRITTEN CONSENT OF HUBBELL POWER SYSTEMS. HUBBELL POWER SYSTEMS UNPUBLISHED. ALL RIGHTS RESERVED UNDER THE COPYRIGHT LAWS.	TITLE TERMINAL CONNECTOR 3 CABLES TO FLAT
REASON (S) FOR CHANGE: -- DISPOSITION OF MATERIAL: --					
				DO NOT SCALE THIS DRAWING	DRN BY WJI
				DATE 12/24/00	SHEET 1 OF 2